



10 TON LOG SPLITTER MODEL H6239 INSTRUCTION SHEET

Introduction

The Model H6239 10 Ton Log Splitter (**Figure 1**) features 10 tons of pressure for splitting firewood, a 17⁵/₈" log capacity, an 8¹/₄" ram stroke, and two built-in mini wheels for easy mobility.

Inventory

- A. Log Splitter 1
- B. Handles 2

	<p>! WARNING</p> <p>The Model H6239 is a heavy machine (106 lbs. shipping weight). DO NOT over-exert yourself while unpacking or moving your machine—get assistance.</p>
--	--

Assembly

Insert a handle into each socket (**Figure 1**).

Operation

1. Cut the logs you want to split to 17⁵/₈" or less to fit into the splitter.
2. Turn the release knob (**Figure 2**) counter-clockwise to retract the piston rod fully into the cylinder, then turn the knob clockwise.

<p>! WARNING</p> <p>Keep hands and other body parts away from wedge and piston rod when H6239 is in operation to prevent serious injury. Keep area around log splitter clear of bystanders to prevent injury from ejected wood pieces.</p>

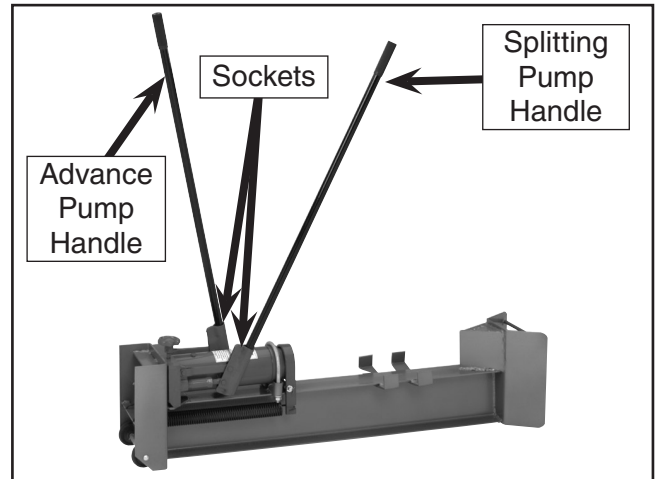


Figure 1. Model H6239 handles installed.

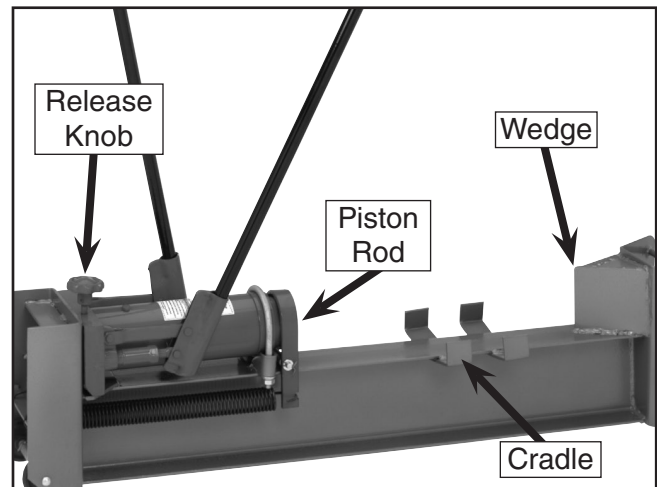


Figure 2. Model H6239 identification.

<p>! WARNING</p> <p>Wear ANSI approved safety glasses and gloves at all times.</p>

<p>! WARNING</p> <p>This log splitter is only intended to be used to split logs! Serious injury may occur if this log splitter is used as a hydraulic press.</p>

3. Place a log on the cradle between the wedge and piston rod.
4. Use the advance pump handle (**Figure 1**) to quickly move the piston rod until it is close to the log. Then use the splitting pump handle (**Figure 1**) to split the log.
5. Turn the release knob counterclockwise to return the piston rod to the cylinder, turn the knob clockwise to start over, then remove the split pieces.

Note—Cut your logs to the same length to reduce log splitting time.

Storage

Store the log splitter in a dry location with the release knob open, to relieve hydraulic pressure.

Maintenance

Wipe down the log splitter to remove tree sap or dirt. Occasionally you may need to add hydraulic oil to maximize performance.

To add oil:

1. Fully extend the piston rod.
2. Remove the oil seal (**Figure 3**).

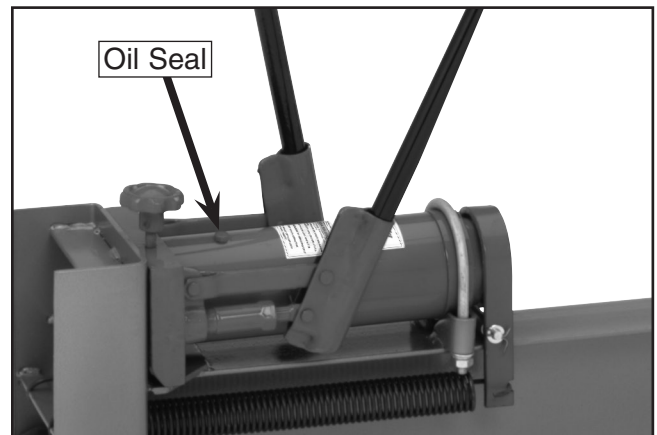
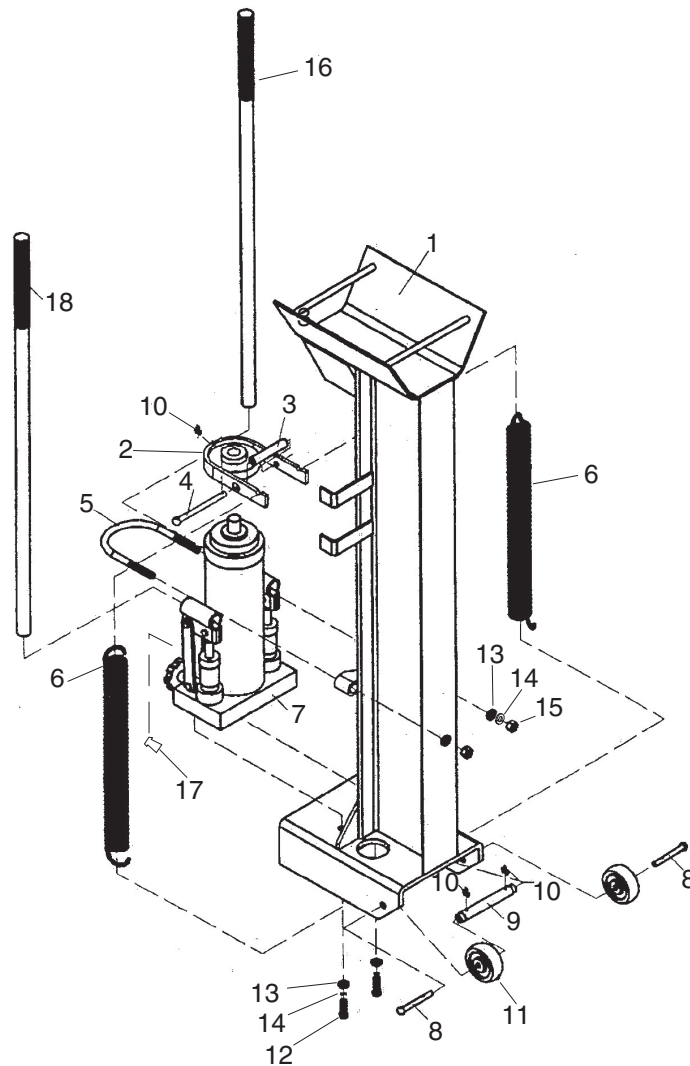


Figure 3. Oil Seal.

3. Turn the release knob counterclockwise to expel air out of the oil seal hole.
4. Add hydraulic oil until the cylinder is $\frac{3}{4}$ full.
5. Replace the oil seal.

If you need additional help with this procedure, call our service department at: (570) 546-9663.

H6239 Parts Breakdown and List



REF	PART #	DESCRIPTION
1	PH6239001	FRAME
2	PH6239002	RAM BRACKET
3	PH6239003	PIN SLEEVE
4	PH6239004	PIN
5	PH6239005	U-CLAMP
6	PH6239006	EXTENSION SPRING
7	PH6239007	RAM
8	PH6239008	AXLE

REF	PART #	DESCRIPTION
9	PH6239009	AXLE SLEEVE
10	PH6239010	COTTER PIN
11	PH6239011	WHEEL
12	PB32M	HEX BOLT M10-1.5 X 25
13	PW04M	FLAT WASHER 10MM
14	PLW06M	LOCK WASHER 10MM
15	PN02M	HEX NUT M10-1.5
16	PH6239016	ADVANCE PUMP HANDLE
17	PH6239017	OIL SEAL
18	PH6239018	SPLITTING PUMP HANDLE

COPYRIGHT © FEBRUARY, 2005 BY GRIZZLY INDUSTRIAL, INC.
**WARNING: NO PORTION OF THIS MANUAL MAY BE REPRODUCED IN ANY SHAPE
OR FORM WITHOUT THE WRITTEN APPROVAL OF GRIZZLY INDUSTRIAL, INC.**
#BL6998 PRINTED IN CHINA

